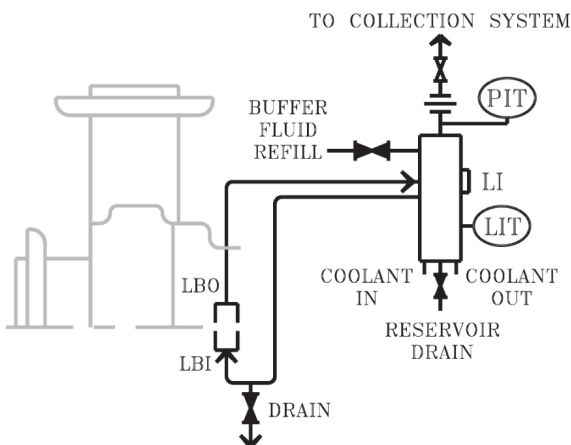


Plan 52



To Vent/
Collection System,
Normally Open

Buffer Fluid
Refill

Normally
Closed

Level
Indicator

Coolant
In

Drain,
Normally Closed

Coolant
Out

Description: Plan 52 is an external reservoir, typically NON-PRESSURIZED or maintained at a pressure less than the pressure in the seal chamber. Provides BUFFER fluid for the outer seal of an Arrangement 2 dual seal. Circulation provided by an internal pumping ring.

Objective: To reduce human and environmental contact in the event of a primary seal failure. Lubricate outer seal.

Advantages: No process contamination. Enhanced cooling available using cooling coils in the reservoir. Best for hazardous fluids, light hydrocarbons and vapors which are contained by a safety backup seal.

