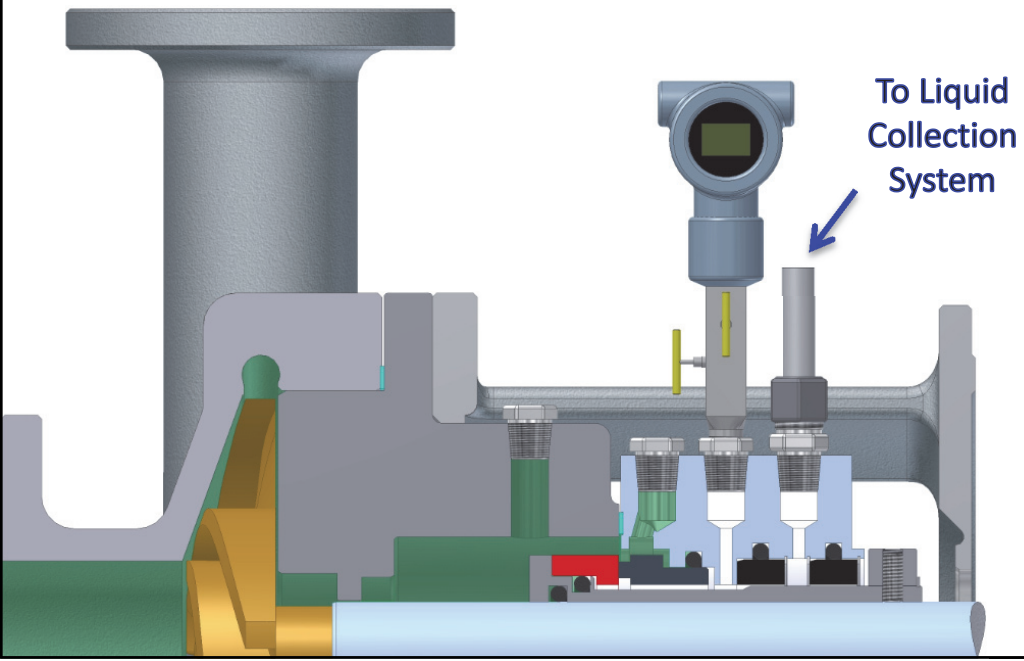
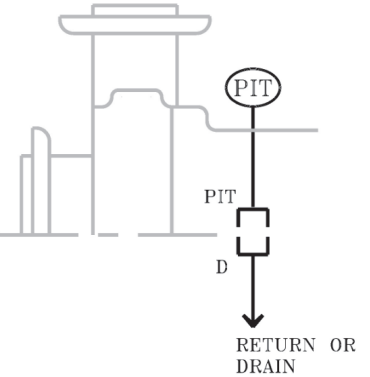


Plan 66A

Description: Plan 66A is an external drain with an external pressure transmitter to detect high level leak rates. Normally for Arrangement 1 single seals. Pressure port and drain are separated by a gland bushing with an additional gland bushing on atmosphere side.

Objective: Detect seal failure early and minimize leakage past gland. Typically used on single seals in remote locations and critical processes.

Advantages: More efficient directing leakage to a drain than Plan 66B.



Plan 66B

Description: Plan 66B is an external drain

with an orifice plug and an external pressure transmitter to detect high level leak rates on atmosphere side of seal, utilizing a single gland bushing. Normally for Arrangement 1 single seals.

Objective: Same as Plan 66A.

Advantages: Can easily adapt to most existing seal glands.

