

FCA200-A

INSTALLATION and OPERATING INSTRUCTIONS

Flow Control Unit for AIR or GAS

1. Secure the flow control unit to the desired location for operation. The unit must be mounted in the vertical position for proper operation.
2. Connect the line from the panel and route to seal, but do not connect to the seal.
Note: New lines between seal and panel are recommended when replacing a failed seal.
3. With the gas source valve off, connect the flow control unit to the gas source.
4. Close the regulator valve (turn counter-clockwise) completely, then open the gas source line.
5. Open the regulator valve to clear the gas line of any debris before connecting to the seal.
6. Connect the line to the seal.
7. Adjust the pressure regulator to the recommended pressure. The flow indicator may jump, but will stabilize.
Note: When adjusting a pressure regulator, always adjust up to the desired pressure. If adjusting down to a lower pressure, allow the pressure to drop below the desired level, then adjust back up to the final setting.
8. Check the pressure gauge to assure the gas barrier pressure is per PPC installation drawing specification, or recommendation from PPC engineering department.
9. Lock the pressure regulator by using the lock nut on the regulator valve stem. No adjustments to the flow control unit should be required after final settings are achieved.
Note: As a suggestion, you may want to take further steps to assure the regulator is not tampered with once set.
10. Run pump according to normal operating procedures.

Scheduled periodic filter maintenance is required. The frequency of service is dependent on how clean and dry the gas source. See filter service instructions for indications and service details.

This unit has a manual drain valve that must be periodically opened to release any moisture that has been accumulated.

Should gauges, flow meter parts, or other components of the flow control unit need service, the pump must be shut down and all pump pressure removed. Next relieve the seal gas pressure from the panel.

FCA200-A

FILTER SERVICE INSTRUCTIONS

Flow Control Unit for PLANT/MOIST AIR or GAS

To help insure maximum seal life and proper flow control unit operation, a scheduled periodic maintenance program should be implemented. At a minimum, the FCA200 flow control unit's filter should be serviced when a new seal is installed.

Filter service kits are available through PPC Mechanical Seals.

Filter servicing procedure:

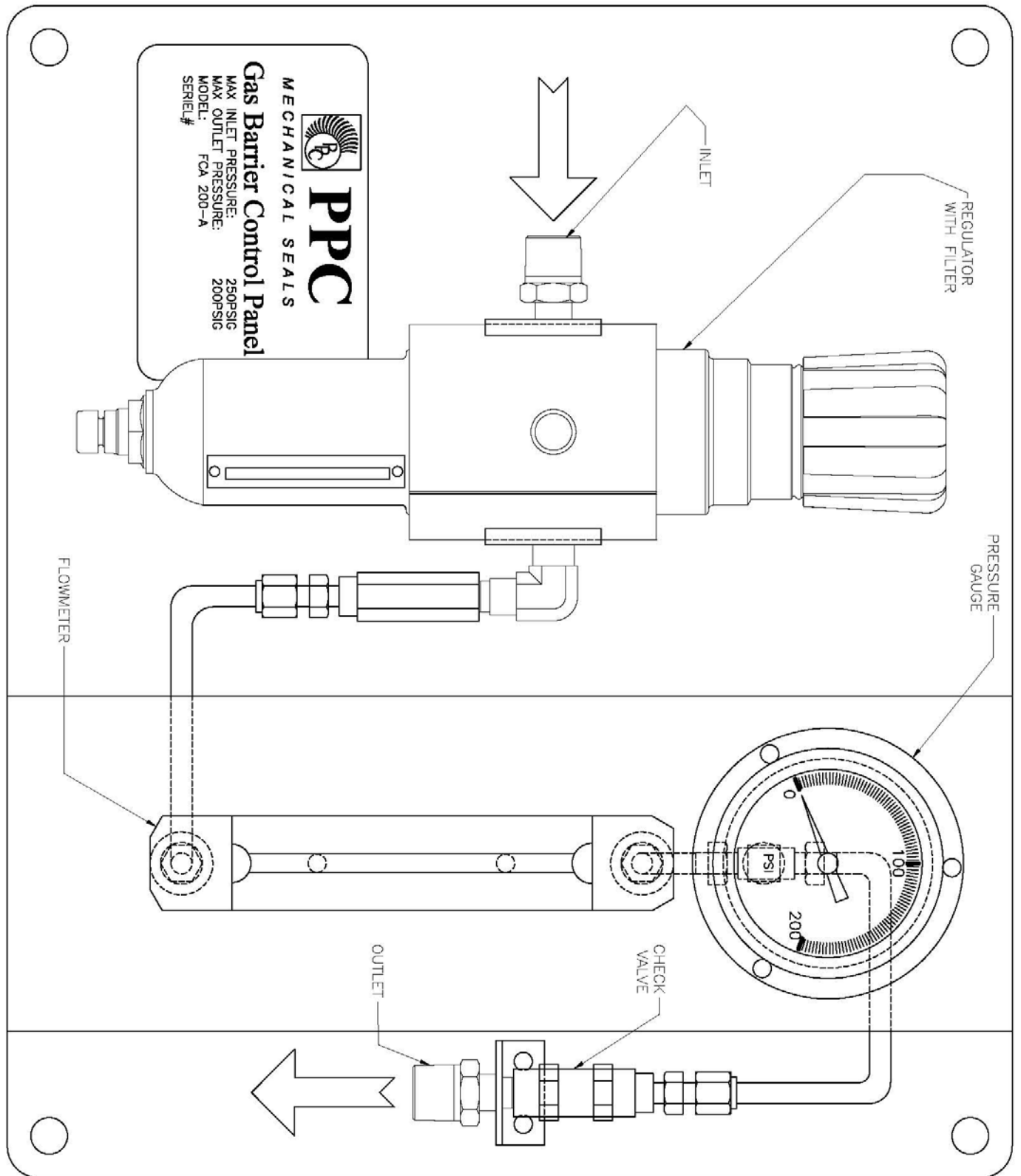
- 1) The filter service kit contains all the necessary replacement items for this procedure. It is recommended you familiarize yourself with its contents before proceeding further.
- 2) Follow bypass procedure to shut off gas from panel or remove pump from service. Pump shall be depressurized before removing pressure from seal. Disassemble, service, and reassemble the filter per the instructions included in the service kit.

Notes: A) The supplied instructions apply to several different models of filter, so some steps may not apply.

B) Although the service kit instructions do not require that all replacement items are used, PPC Mechanical Seals recommends the replacement of all serviceable parts supplied in the kit.

- 3) Reassemble and reset the flow control unit per the instructions. Check for leaks.

FILE: F:\DOCS\ENG\INSTALL\I-6245-B.DOC
PAGE 3 of 4 FILE F:\CAD-DWG\SHOP\00008X93.DWG
PAGE 4 of 4 FILE F:\CAD-DWG\INSTALL\00001492.DWG



FILE F:\CAD-DWG\SHOP\00008X93.DWG

PIPING FOR GAS LUBRICATED DOUBLE SEALS

