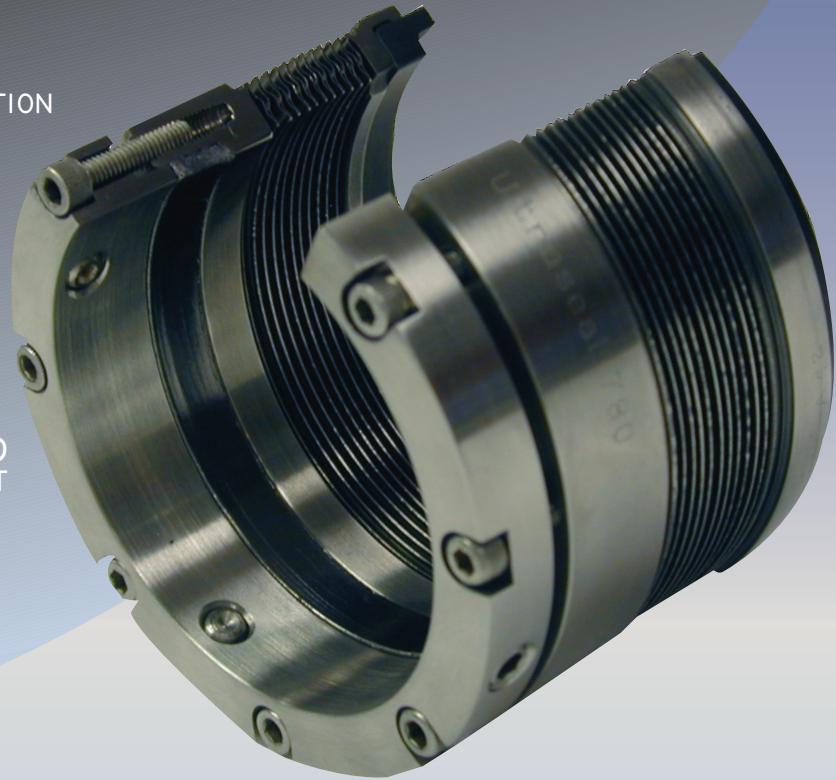


ULTRASEAL 780

HIGH TEMPERATURE METAL BELLOWS

- * IN-HOUSE STATE-OF-THE-ART TECHNOLOGY IS USED FOR DESIGN AND WELDING OF PPC'S METAL BELLOWS.
- * CAN BE CARTRIDGE MOUNTED TO FIT MANY APPLICATIONS FOR FAST, EASY INSTALLATION, ELIMINATING COSTLY INSTALLATION MISTAKES.
- * HANG-UPS ARE ELIMINATED AS WELL AS SHAFT OR SLEEVE DAMAGE
- * HANDLES EXTREME TEMPERATURE AND MODERATE PRESSURE FOR ANSI AND API PUMP APPLICATIONS.
- * COMPACT DESIGN TO FIT VIRTUALLY ANY STUFFING BOX.
- * BELLOWS ARE INHERENTLY BALANCED ELIMINATING THE NEED FOR A STEP IN THE SHAFT OR SLEEVE.
- * SELF CLEANING BELLOWS DUE TO CENTRIFUGAL ACTION. THERE ARE NO SPRINGS TO CLOG OR HANG UP.
- * STATIC SECONDARY SHAFT SEAL IS HIGH TEMPERATURE GRAPHITE AND IS NON FRETTING.



PPC'S HIGH TEMPERATURE METAL BELLOWS SEAL IN THE ULTRASEAL SERIES

ON THE WEB @ WWW.PPCMECHANICALSEALS.COM

MATERIALS OF CONSTRUCTION

METAL PARTS: 316SS/17-4PH W/ AM350 BELLOWS
OPTIONS: 316SS W/A42 HOLDER
 ALLOY C-276 OR ALLOY 718
 BELLOWS

FACE COMBINATIONS:

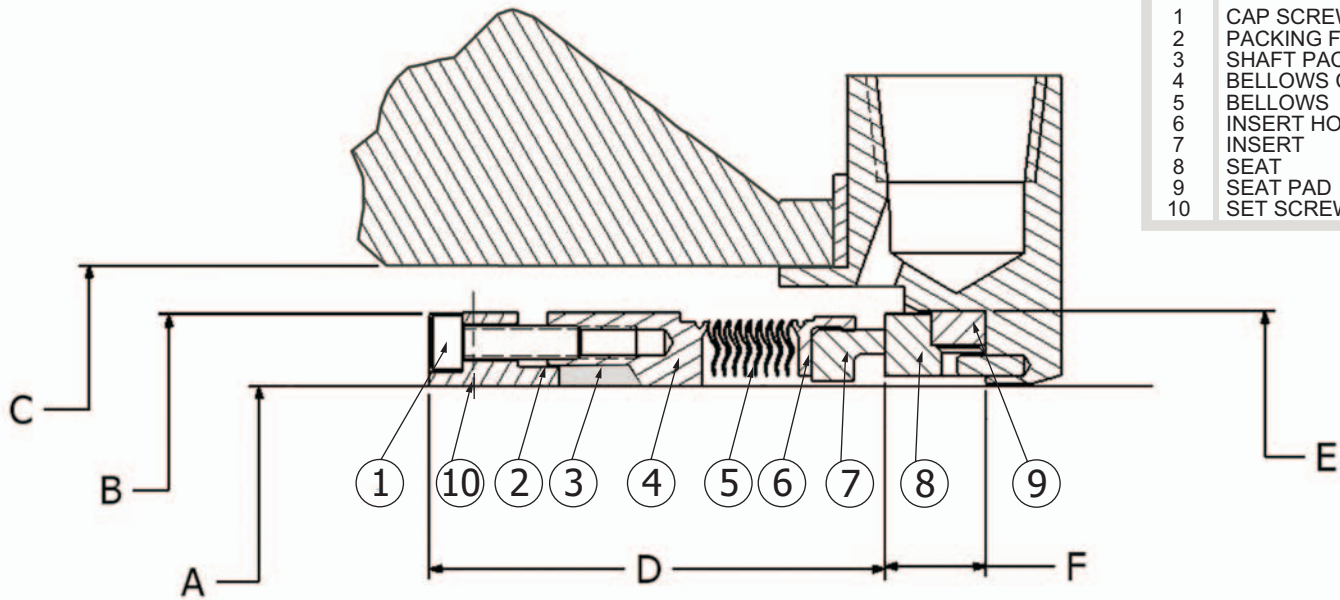
STATIONARY FACE
 SILICON CARBIDE/ TUNGSTEN CARBIDE

ROTARY FACE
 #10 CARBON, SILICON CARBIDE, OR TUNGSTEN CARBIDE

TECHNICAL DATA

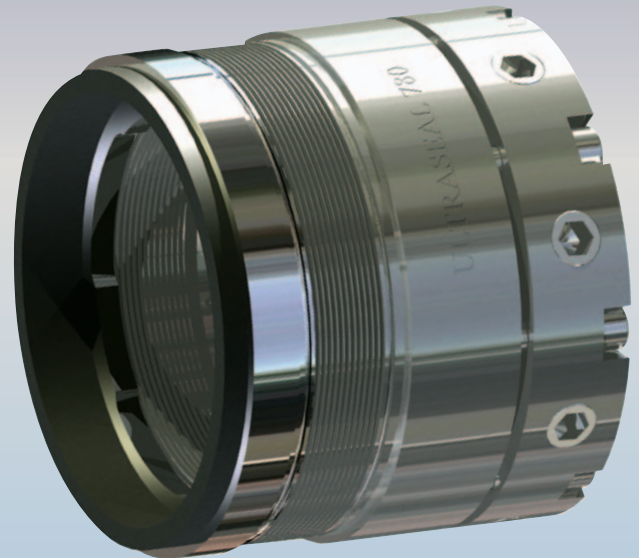
TEMPERATURES: 100°F TO 800°F
PRESSURE: UP TO 300 PSIG,
 DEPENDING ON
 SHAFT SIZE & SPEED
SPEED: UP TO 4500 FPM

| ITEM | DESCRIPTION |
|------|------------------|
| 1 | CAP SCREWS |
| 2 | PACKING FOLLOWER |
| 3 | SHAFT PACKING |
| 4 | BELLOWS COLLAR |
| 5 | BELLOWS |
| 6 | INSERT HOLDER |
| 7 | INSERT |
| 8 | SEAT |
| 9 | SEAT PAD |
| 10 | SET SCREWS |



ULTRASEAL 780 HIGH TEMPERATURE METAL BELLOWS SEAL

| A | B | C | D | E | F |
|-------|-------|-------|------|-------|-----|
| 1.000 | 1.688 | 1.750 | 1.81 | 1.750 | .44 |
| 1.125 | 1.688 | 1.750 | 1.81 | 1.750 | .44 |
| 1.250 | 1.813 | 1.875 | 1.88 | 1.875 | .44 |
| 1.375 | 1.938 | 2.000 | 1.88 | 2.000 | .44 |
| 1.500 | 2.063 | 2.188 | 1.88 | 2.125 | .44 |
| 1.625 | 2.250 | 2.375 | 1.88 | 2.375 | .50 |
| 1.750 | 2.375 | 2.500 | 1.88 | 2.500 | .50 |
| 1.875 | 2.500 | 2.625 | 1.94 | 2.625 | .50 |
| 2.000 | 2.625 | 2.750 | 1.94 | 2.750 | .50 |
| 2.125 | 2.750 | 2.875 | 1.94 | 3.000 | .56 |
| 2.250 | 2.875 | 3.000 | 2.06 | 3.125 | .56 |
| 2.375 | 3.000 | 3.125 | 2.06 | 3.250 | .56 |
| 2.500 | 3.250 | 3.375 | 2.06 | 3.375 | .56 |
| 2.625 | 3.344 | 3.469 | 2.12 | 3.375 | .62 |
| 2.750 | 3.469 | 3.594 | 2.12 | 3.500 | .62 |
| 2.875 | 3.656 | 3.781 | 2.19 | 3.750 | .62 |
| 3.000 | 3.781 | 3.906 | 2.19 | 3.875 | .62 |
| 3.125 | 3.906 | 4.031 | 2.25 | 4.000 | .78 |
| 3.250 | 4.031 | 4.156 | 2.25 | 4.125 | .78 |
| 3.375 | 4.156 | 4.281 | 2.25 | 4.250 | .78 |
| 3.500 | 4.281 | 4.406 | 2.38 | 4.375 | .78 |
| 3.625 | 4.406 | 4.531 | 2.38 | 4.500 | .78 |
| 3.750 | 4.531 | 4.656 | 2.38 | 4.625 | .78 |
| 3.875 | 4.656 | 4.781 | 2.38 | 4.750 | .78 |
| 4.000 | 4.781 | 4.906 | 2.38 | 4.875 | .78 |



WARRANTY

PPC SEALS AND SEAL PARTS ARE GUARANTEED TO BE FREE FROM DEFECTS IN MATERIAL AND WORKMANSHIP AND ARE GUARANTEED TO RENDER SATISFACTORY SERVICE WHEN USED FOR THE PURPOSE FOR WHICH THEY ARE DESIGNED.



MECHANICAL SEALS

P.O. BOX 52915 - 2769 MISSION DRIVE

BATON ROUGE, LA 70805

225-356-4333 - 1-800-731-7325 - FAX 225-355-2126

WWW.PPCMECHANICALSEALS.COM