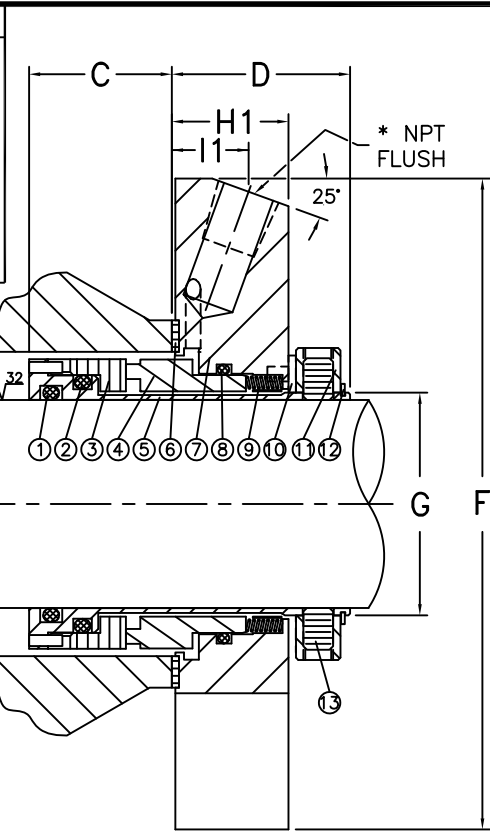
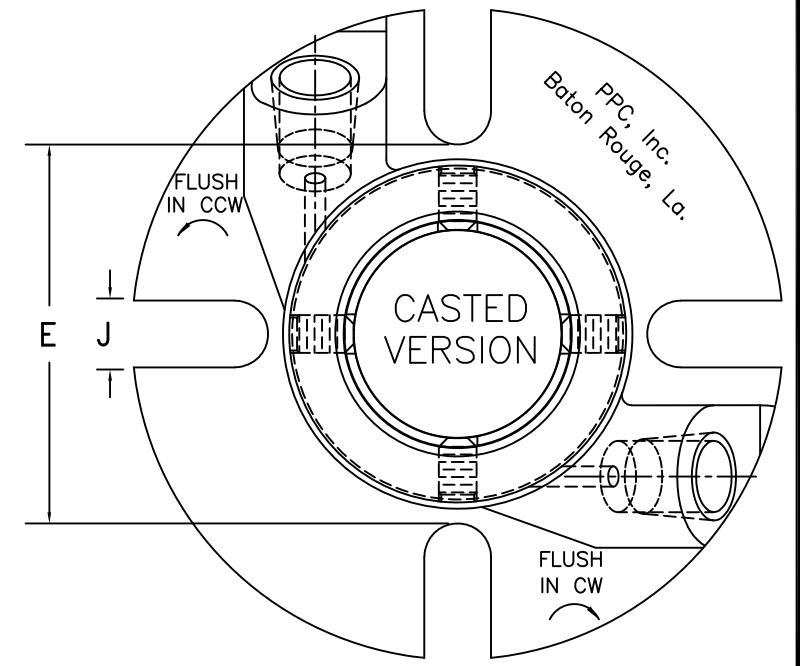
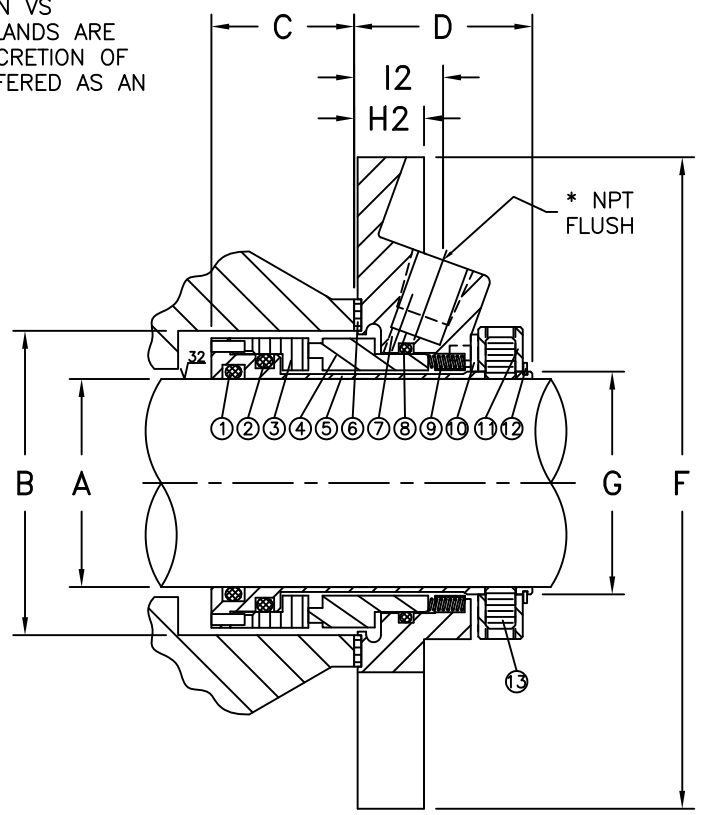
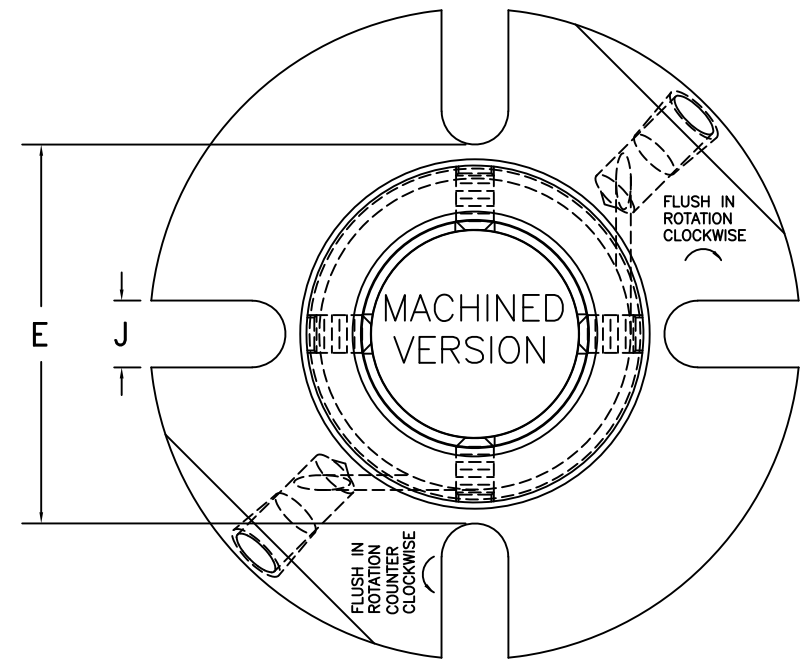


ITEM	DESCRIPTION
1	O-RING
2	O-RING
3	ROTARY FACE
4	STATIONARY FACE
5	SLEEVE
6	GASKET
7	GLAND
8	O-RING
9	SPRINGS
10	SETTING BUTTONS
11	COLLAR
12	RETAINING RING
13	SET SCREWS



*.250 NPT, ϕ .125 FLUSH HOLE FOR SEAL SIZES UP TO 2.625
 .375 NPT, ϕ .156 FLUSH HOLE FOR SEAL SIZES 2.750 AND ABOVE

NOTE: CASTED VERSION VS MACHINED VERSION GLANDS ARE SUPPLIED AT THE DISCRETION OF PPC. THIS IS NOT OFFERED AS AN OPTION OR CHOICE.



MACHINED GLAND VERSION

CASTED GLAND VERSION

1500E CARTRIDGE SEAL ASSEMBLY

A: SEAL SIZE	B	B	C	D	E	F	G	H1	H2	I1	I2	J	① ② ⑧			
													ENGLISH	METRIC	(MIN)	(MAX)
1.000	25mm	1.625	2.010	1.21	1.49	2.31	4.11	1.125	.98	-.71	-.44	.44	120	123	126	
1.125	28mm	1.750	2.040	1.21	1.49	2.44	4.24	1.250	.98	-.71	-.44	.44	122	125	128	
1.250	30mm	1.875	2.270	1.21	1.49	2.69	4.36	1.375	.98	-.71	-.56	.56	123	127	130	
1.375	32mm	1.875	2.270	1.21	1.49	2.69	4.36	1.375	.98	-.71	-.56	.56	124	127	130	
1.500	33mm	2.000	2.430	1.21	1.49	2.75	4.36	1.500	.98	-.71	-.44	.44	125	129	132	
1.625	35mm	2.000	2.430	1.21	1.49	2.75	4.36	1.500	.98	-.71	-.44	.44	126	129	132	
1.750	38mm	2.250	2.630	1.21	1.49	2.94	4.99	1.625	.98	-.71	-.56	.56	222	223	135	
1.875	40mm	2.250	2.630	1.21	1.49	2.94	4.99	1.625	.98	.61	.71	.76	.56	222	223	135
2.000	43mm	2.375	2.690	1.21	1.49	3.06	4.99	1.750	.98	-.71	-.56	.56	223	224	137	
2.125	45mm	2.375	2.690	1.21	1.49	3.06	4.99	1.750	.98	.61	.71	.76	.56	223	224	137
2.250	48mm	2.500	2.810	1.21	1.49	3.19	5.48	1.875	.98	-.71	-.56	.56	224	225	139	
2.375	50mm	2.500	2.810	1.21	1.49	3.19	5.48	1.875	.98	.61	.71	.76	.56	224	225	139
2.500	55mm	2.625	2.940	1.21	1.49	3.31	5.49	2.000	.98	-.71	-.56	.56	225	226	141	
2.625	60mm	2.625	2.940	1.21	1.49	3.31	5.49	2.000	.98	.61	.71	.76	.56	225	226	141
2.750	65mm	2.750	3.190	1.21	1.49	3.44	5.49	2.125	.98	-.71	-.56	.56	226	227	143	
2.875	70mm	2.750	3.190	1.21	1.49	3.44	5.49	2.125	.98	-.71	-.56	.56	226	227	143	
3.000	75mm	2.875	3.440	1.21	1.49	3.81	5.99	2.250	.98	-.71	-.69	.69	227	228	145	
3.125	80mm	2.875	3.440	1.21	1.49	3.81	5.99	2.250	.98	-.71	-.69	.69	227	228	145	
3.250	85mm	3.000	3.560	1.21	1.49	3.94	6.24	2.375	.98	-.71	-.69	.69	228	229	147	
3.375	90mm	3.000	3.560	1.21	1.49	3.94	6.24	2.375	.98	-.71	-.69	.69	228	229	147	
3.500	95mm	3.125	3.590	1.21	1.49	4.06	6.24	2.500	.98	-.71	-.69	.69	229	230	149	
3.625	100mm	3.125	3.590	1.21	1.49	4.06	6.24	2.500	.98	.61	.71	.76	.69	229	230	149

A: SEAL SIZE	B	B	C	D	E	F	G	H1	H2	I1	I2	J	① ② ⑧			
													ENGLISH	METRIC	(MIN)	(MAX)
2.500	65mm	3.375	4.070	1.21	1.49	4.75	7.62	2.750	.98	-.71	-.69	.69	231	232	152	
2.625	70mm	3.375	4.070	1.21	1.49	4.75	7.62	2.750	.98	-.71	-.69	.69	231	232	152	
2.750	75mm	3.750	4.190	1.36	1.80	4.88	7.74	3.000	1.20	-.83	-.69	.69	232	235	237	
3.000	80mm	3.750	4.190	1.36	1.80	4.88	7.74	3.000	1.20	-.83	-.69	.69	232	235	237	
3.125	85mm	4.000	4.440	1.36	1.80	5.06	8.00	3.250	1.20	-.83	-.69	.69	234	237	239	
3.250	90mm	4.000	4.440	1.36	1.80	5.06	8.00	3.250	1.20	-.83	-.69	.69	234	237	239	
3.375	95mm	4.125	4.565	1.36	1.80	5.25	8.12	3.375	1.20	-.83	-.69	.69	235	238	240	
3.500	100mm	4.250	4.690	1.36	1.80	5.38	8.25	3.500	1.20	-.83	-.69	.69	236	239	241	
3.625	105mm	4.250	4.690	1.36	1.80	5.38	8.25	3.500	1.20	-.83	-.69	.69	236	239	241	
3.750	110mm	4.375	4.815	1.36	1.80	5.50	8.38	3.625	1.20	-.83	-.81	.81	237	240	242	
3.875	115mm	4.375	4.815	1.36	1.80	5.50	8.38	3.625	1.20	-.83	-.81	.81	237	240	242	
4.000	120mm	4.500	4.940	1.36	1.80	5.62	8.50	3.750	1.20	-.83	-.81	.81	238	241	243	
4.125	125mm	4.500	4.940	1.36	1.80	5.62	8.50	3.750	1.20	-.83	-.81	.81	238	241	243	
4.250	130mm	4.625	5.065	1.36	1.80	5.75	8.62	3.875	1.20	-.83	-.81	.81	239	242	244	
4.375	135mm	4.625	5.065	1.36	1.80	5.75	8.62	3.875	1.20	-.83	-.81	.81	239	242	244	
4.500	140mm	4.750	5.190	1.36	1.80	5.88	8.75	4.000	1.20	-.83	-.81	.81	240	243	245	
4.625	145mm	4.750	5.190	1.36	1.80	5.88	8.75	4.000	1.20	.76	.83	.98	.81	240	243	245
4.750	150mm	4.875	5.315	1.36	1.80	5.97	8.55	4.125	1.20	-.83	-.81	.81	241	244	246	
4.875	155mm	4.875	5.315	1.36	1.80	5.97	8.55	4.125	1.20	-.83	-.81	.81	241	244	246	
5.000	160mm	5.000	5.440	1.36	1.80	6.09	8.98	4.250	1.20	-.83	-.81	.81	242	245	247	
5.125	165mm	5.000	5.440	1.36	1.80	6.09	8.98	4.250	1.20	-.83	-.81	.81	242	245	247	
5.250	170mm	5.125	5.565	1.36	1.80	6.22	9.11	4.375	1.20	-.83	-.81	.81	243	246	248	
5.375	175mm	5.125	5.565	1.36	1.80	6.22	9.11	4.375	1.20	-.83	-.81	.81	243	246	248	
5.500	180mm	5.250	5.690	1.36	1.80	6.34	9.23	4.500	1.20	-.83	-.81	.81	244	247	249	
5.625	185mm	5.250	5.690	1.36	1.80	6.34	9.23	4.500	1.20	-.83	-.81	.81	244	247	249	
5.750	190mm	5.500	5.940	1.36	1.80	6.59	9.48	4.750	1.20	-.83	-.81	.81	246	249	251	
5.875	195mm	5.500	5.940	1.36	1.80	6.59	9.48	4.750	1.20	-.83	-.81	.81	246	249	251	
6.000	200mm	5.750	6.190	1.36	1.80	6.81	9.75	5.000	1.20	-.83	-.81	.81	248	251	253	
6.125	205mm	5.750	6.190	1.36	1.80	6.81	9.75	5.000	1.20	-.83	-.81	.81	248	251	253	

FILENAME: F:\CAD-DWG\INSTALL\00000114.DWG
 SHEET 1 OF 2
 (1500E STANDARD SIZES)

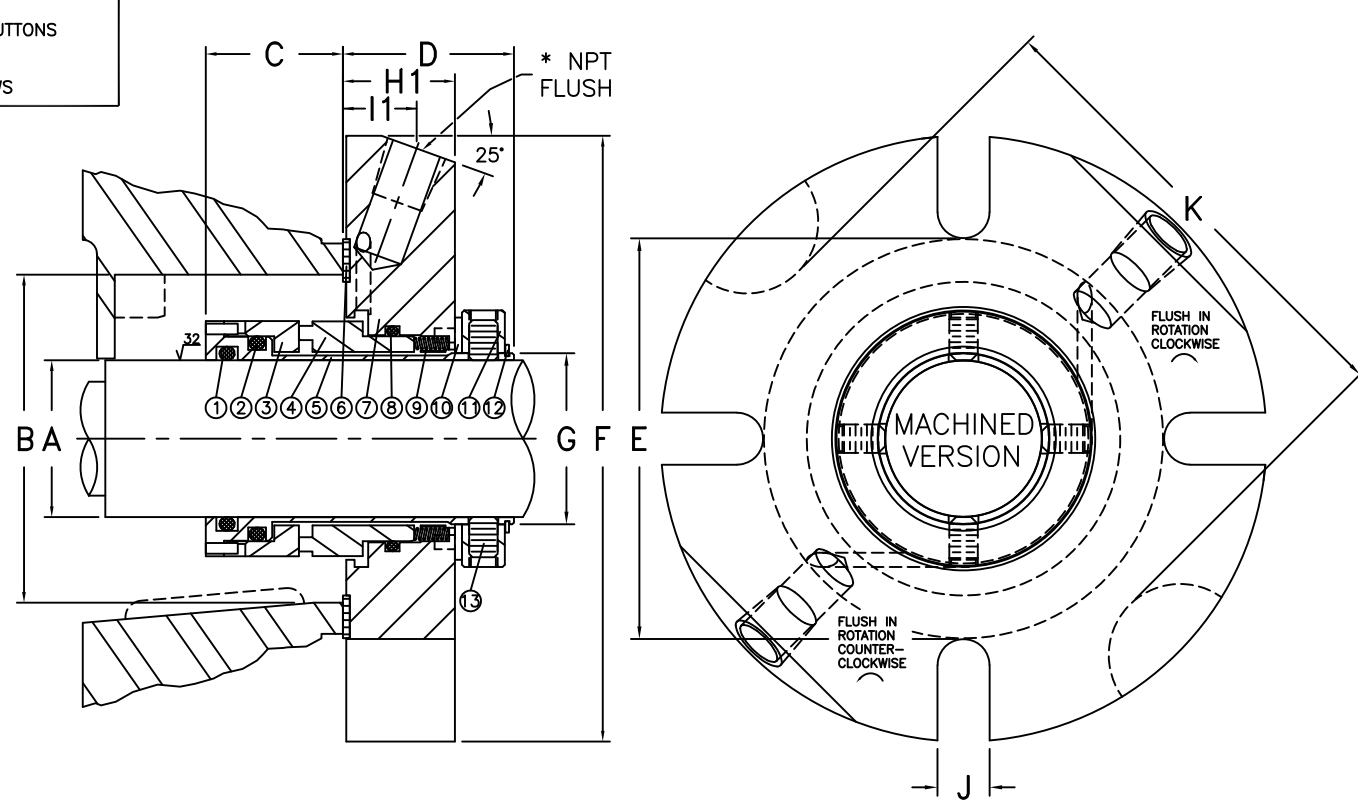
PPC MECHANICAL SEALS
 BATON ROUGE, LA.

INITIALS: LFL
 DATE: 01-27-94
 DRAWN BY: LFL
 CHECKED BY: WWV

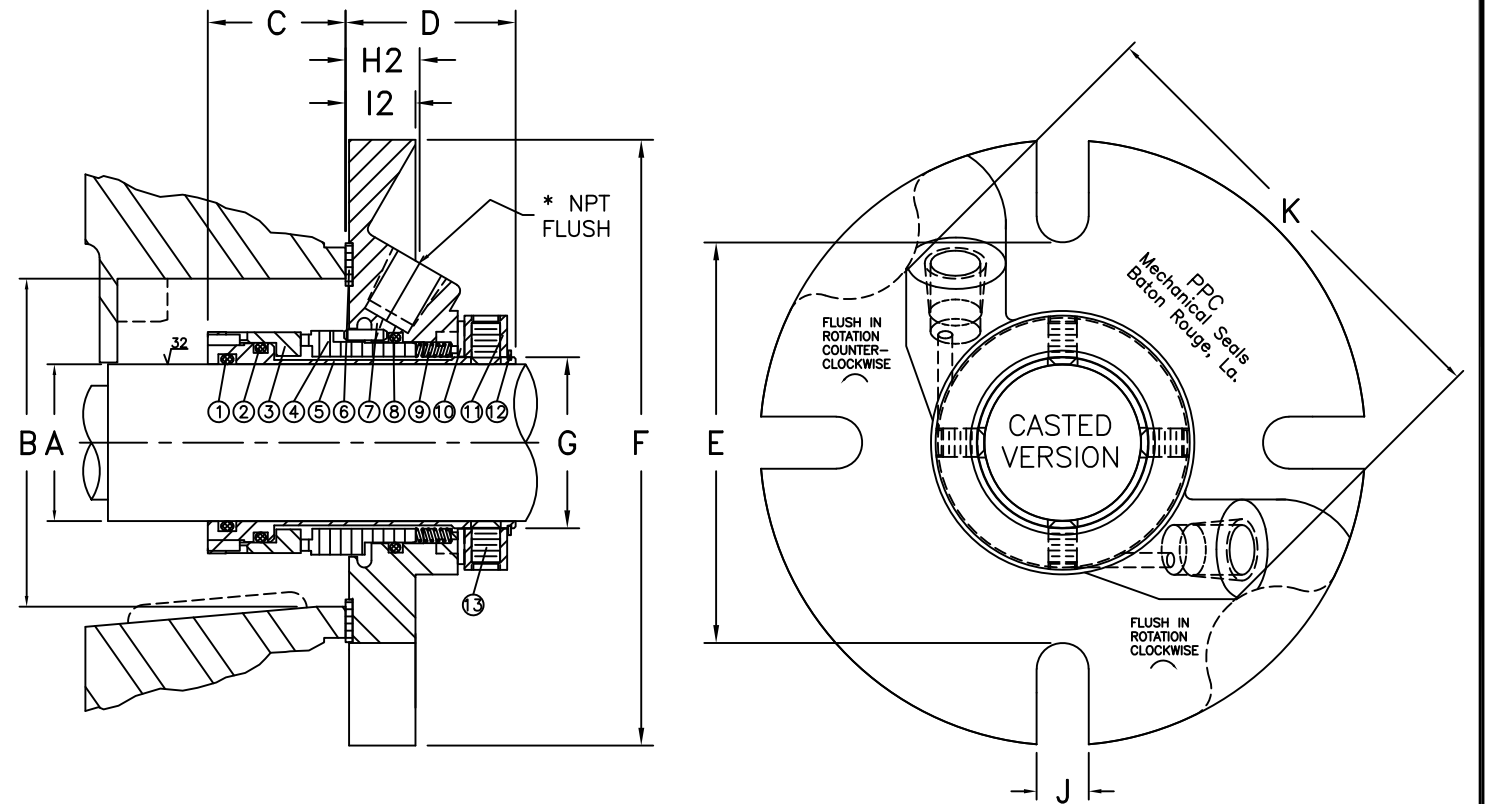
COMPUTER AIDED DESIGN
 1-3791-Q
 DWG NO.

ITEM	DESCRIPTION
1	O-RING
2	O-RING
3	ROTARY FACE
4	STATIONARY FACE
5	SLEEVE
6	GASKET
7	GLAND
8	O-RING
9	SPRINGS
10	SETTING BUTTONS
11	COLLAR
12	SPIROLOX
13	SET SCREWS

*.250 NPT, ϕ .125 FLUSH HOLE
FOR SEAL SIZES UP TO 2.625
.375 NPT, ϕ .156 FLUSH HOLE
FOR SEAL SIZES 2.750 AND
ABOVE



MACHINED GLAND VERSION



CASTED GLAND VERSION

1500E+ CARTRIDGE SEAL ASSEMBLY
FOR BIG BORE STUFFING BOX

A SEAL SIZE	B (MIN)	B (MAX)	C	D	E	F	G	H1	H2	I1	I2	J	K	①	②	⑧
1.125+	2.500	2.906	1.21	1.49	3.31	4.62	1.250	.98	-	.71	-	.44	X	122	125	128
1.375+	2.781	3.219	1.21	1.49	3.53	5.31	1.500	.98	.61	.71	.59	.44	4.12	126	129	132
1.750+	3.469	4.188	1.21	1.49	4.50	6.31	1.875	.98	.61	.71	.66	.56	X	224	225	139
1.875+	3.406	4.062	1.21	1.49	4.41	6.25	2.000	.98	.61	.71	.76	.56	X	225	226	141
2.125+	3.437	4.375	1.21	1.49	4.81	7.12	2.250	.98	-	.71	-	.69	X	227	228	145
2.500+	4.156	5.187	1.21	1.49	5.44	7.88	2.625	.98	-	.71	-	.69	X	230	231	151
2.625+	4.156	4.812	1.21	1.49	5.44	7.50	2.750	.98	-	.71	-	.56	X	231	232	152

INSTALLATION INSTRUCTIONS:
AFTER TIGHTENING GLAND BOLTS PUSH
SET SCREW COLLAR AGAINST SETTING
BUTTONS, THEN TIGHTEN SET SCREWS.
SETTING BUTTON REMOVAL NOT NECESSARY

NOTE: CASTED VERSION VS
MACHINED VERSION GLANDS
ARE SUPPLIED AT THE
DISCRETION OF PPC. THIS IS
NOT OFFERED AS AN OPTION
OR CHOICE.

FILENAME: F:\CAD-DWG\INSTALL\00000114.DWG

PPC MECHANICAL SEALS
BATON ROUGE, LA.

INITIALS
DRAWN BY LFL
CHECKED BY WWW

DATE
01-27-94
01-27-94

COMPUTER
AIDED DESIGN

PC

T-3791-Q
DWG. NO.

SHEET 2 OF 2
(1500E+ BIG BORE SIZES)

REV Q: ADDED CASTED GLD VERSION AND UPDATED FORMAT 6/27/17 NPC/WWW
REV P: ADDED INFO FOR SIZE 3.875. 03-05-2012 ELG/WWW
REV O: DELETED SIZES 5.750, 3.000+, 3.750+, AND 4.750+. 11-21-2005 DPR/WWW
REV N: CHANGED B.C. FOR 2.500+ FROM 6.75 TO 5.44 02-23-2004 BPD/WWW