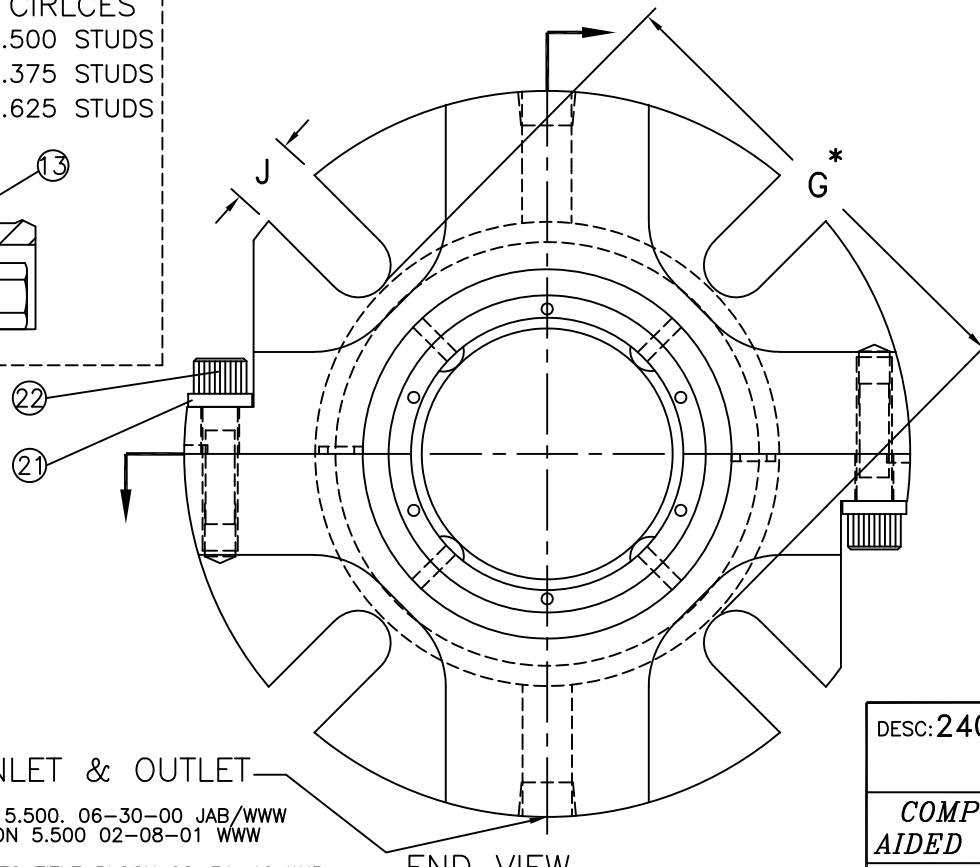
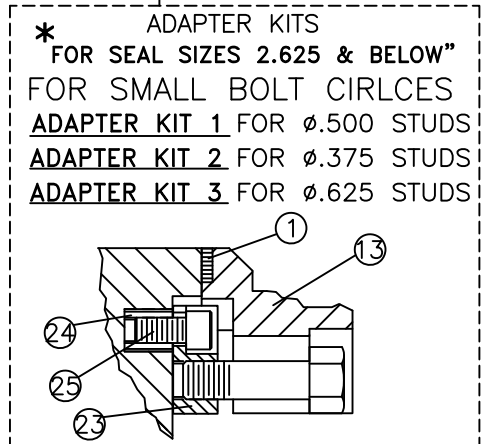


| A | B MIN | B MAX | C MIN | D | E | F | G* | H | I | J | K | L |
|-------------------------------------|-------|-------|-------|-------|------|------|------|------|-----|------|------|------|
| 1.750 | 2.50 | 2.75 | 3.12 | 6.18 | 2.32 | 2.13 | 4.15 | .66 | .28 | .56 | 1.61 | 1.62 |
| 1.875 | 2.63 | 2.88 | 3.25 | 6.31 | 2.32 | 2.13 | 4.28 | .66 | .28 | .56 | 1.61 | 1.62 |
| 2.000 | 2.75 | 3.00 | 3.37 | 6.44 | 2.32 | 2.13 | 4.39 | .66 | .28 | .56 | 1.61 | 1.62 |
| 2.125 | 2.88 | 3.13 | 3.50 | 6.54 | 2.32 | 2.13 | 4.64 | .66 | .28 | .69 | 1.61 | 1.62 |
| 2.500 | 3.25 | 3.75 | 4.00 | 6.90 | 2.32 | 2.13 | 5.02 | .66 | .28 | .69 | 1.61 | 1.62 |
| 2.625 | 3.37 | 3.88 | 4.12 | 7.02 | 2.32 | 2.13 | 5.14 | .66 | .28 | .69 | 1.61 | 1.62 |
| 2.750 | 3.63 | 4.25 | 4.69 | 7.75 | 2.69 | 2.50 | 5.31 | .72 | .38 | .69 | 1.61 | 1.94 |
| 3.000 | 3.88 | 4.50 | 4.94 | 8.00 | 2.69 | 2.50 | 5.56 | .72 | .38 | .72 | 1.86 | 1.94 |
| 3.250 | 4.13 | 4.75 | 5.19 | 8.25 | 2.69 | 2.50 | 5.81 | .72 | .38 | .72 | 1.86 | 1.94 |
| 3.500 | 4.38 | 5.00 | 5.44 | 8.50 | 2.69 | 2.50 | 5.81 | .72 | .38 | .81 | 1.86 | 1.94 |
| 3.625 | 4.50 | 5.13 | 5.56 | 8.63 | 2.69 | 2.50 | 6.16 | .72 | .38 | .81 | 1.86 | 1.94 |
| 3.750 | 4.63 | 5.25 | 5.69 | 8.75 | 2.69 | 2.50 | 6.31 | .72 | .38 | .81 | 1.86 | 1.94 |
| 4.000 | 4.88 | 5.50 | 5.94 | 9.00 | 2.69 | 2.50 | 6.56 | .72 | .38 | .81 | 1.86 | 1.94 |
| 4.500 | 5.38 | 6.00 | 6.44 | 9.50 | 2.69 | 2.50 | 7.06 | .72 | .38 | .81 | 1.86 | 1.94 |
| 4.750 | 5.63 | 6.25 | 6.69 | 9.75 | 2.69 | 2.50 | 7.31 | .72 | .38 | .81 | 1.86 | 1.94 |
| 5.500 | 6.38 | 7.50 | 8.09 | 11.50 | 3.69 | 3.50 | 8.41 | 1.12 | .50 | .94 | 2.71 | 3.50 |
| 6.000 | 6.88 | 8.00 | 8.59 | 12.00 | 3.69 | 3.50 | 8.91 | 1.12 | .50 | .94 | 2.71 | 3.50 |
| 7.000 | 7.88 | 9.00 | 9.59 | 13.75 | 3.69 | 3.50 | 9.91 | 1.12 | .50 | 1.13 | 2.71 | 3.50 |
| FOLLOWING FOR BIG BORE PUMPS 2400S+ | | | | | | | | | | | | |
| 1.750+ | 2.50 | 4.06 | 3.78 | 6.31 | 2.32 | 2.13 | 4.50 | .66 | .28 | .56 | 1.61 | 1.62 |
| 1.875+ | 2.63 | 4.03 | 3.91 | 6.25 | 2.32 | 2.13 | 4.41 | .66 | .28 | .56 | 1.61 | 1.62 |
| 2.125+ | 2.88 | 4.44 | 4.16 | 7.12 | 2.32 | 2.13 | 5.31 | .66 | .28 | .69 | 1.61 | 1.62 |
| 2.500+ | 3.25 | 5.19 | 4.53 | 7.87 | 2.32 | 2.13 | 5.62 | .66 | .28 | .69 | 1.61 | 1.62 |
| 2.625+ | 3.37 | 4.88 | 4.66 | 7.50 | 2.32 | 2.13 | 5.44 | .66 | .28 | .69 | 1.61 | 1.62 |

MINIMUM BOLT LENGTH = "L" DIM. + "X" DIM. + BOLT DIA.



| ITEM | DESCRIPTION | REPAIR KIT |
|-----------------------|------------------------------|------------|
| 1 | GLAND GASKET | * |
| 2 | ROTARY COLLAR | * |
| 3 | SET SCREWS | * |
| 4 | O-RING | * |
| 5 | O-RING | * |
| 6 | ROTARY FACE | * |
| 7 | UPPER INBD. STATIONARY FACE | * |
| 8 | O-RING | * |
| 9 | LOWER OUTBD. STATIONARY FACE | * |
| 10 | ANTI-ROTATION PINS | * |
| 11 | CENTERING SPACERS | * |
| 12 | RETAINING CLIPS | * |
| 13 | GLAND | * |
| 14 | LOCK WASHERS | * |
| 15 | CAP SCREWS | * |
| 16 | COLLAR SEAM GASKETS | * |
| 17 | O-RING | * |
| 18 | SPRINGS | * |
| 19 | SPRINGS | * |
| 20 | GLAND SEAM GASKETS | * |
| 21 | LOCK WASHERS | * |
| 22 | SOCKET HEAD CAP SCREWS | * |
| ADAPTER KIT 1, 2, & 3 | | |
| 23 | ADAPTERS | |
| 24 | THREADED INSERTS | |
| 25 | CAP SCREWS | |

(2) .375 NPT'S BARRIER FLUID INLET & OUTLET

REV. A: UPDATED "D" DIM. ON SIZES 1.75 TO 2.625 PER MPR. 10-10-96 RPL/WWW
 REV. B: UPDATED "7" & "8" TO NEW STYLE, ADDED ADAPTER KIT PER MC & UPDATED GLAND & NPT. 11-03-97 DA/WWW
 REV. C: ADDED 3.625 SIZE TO DIM LIST, & DIM "L" 2.00 TO 1.94, 07-07-98 LJA/WWW
 REV. D: ADDED 4.000 SIZE TO DIM LIST, & DIM "L" 2.00 TO 1.94, 03-19-99 JTG/WWW
 REV. E: ADD "G" DIM. TO DRAWING. 12-9-99 JES/WWW

REV. F: ADDED 3.500, 4.500, AND 5.500. 06-30-00 JAB/WWW
 REV. G: ADDED 3.50 TO "L" DIM. ON 5.500 02-08-01 WWW
 REV. H: ADDED 2.00" DIMENSIONS TO TITLE BLOCK 08-31-10 WJR
 REV. I: ADDED 4.500" SIZE TO DIM LIST 07-15-2019 MGT/WWW
 REV. J: ADDED 7.000" SIZE TO DIM LIST 10-04-2021 KLS/WWW

END VIEW
 N.T.S. US PAT. 5,820,129

DESC: 2400S SPLIT DOUBLE MECHANICAL SEAL

DR BY: RPL
 CH BY: WWW
 DATE: 08-23-96
 AP BY: CNM III

COMPUTER AIDED DESIGN

PPC MECHANICAL SEALS
 BATON ROUGE, LA.

DWG. NO. T-4319-J

This document is owned by PPC and is loaned subject to return upon demand along with all copies and all improvements. It will only be used in confidence and not be used in any way detrimentally to the interest of PPC.

FILENAME: F:\CAD-DWG\INSTALL\00000754.DWG