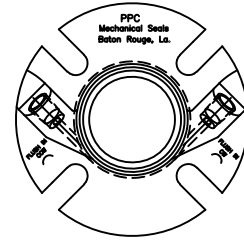
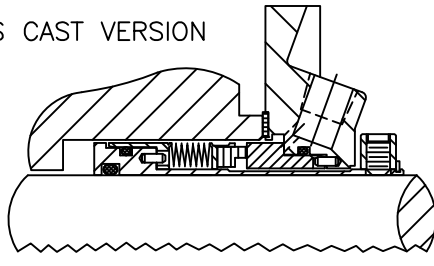


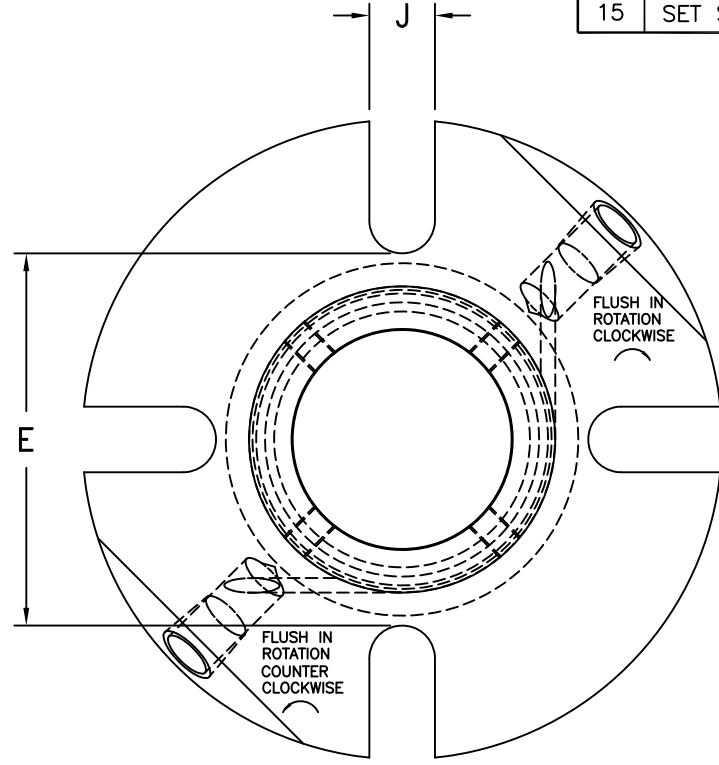
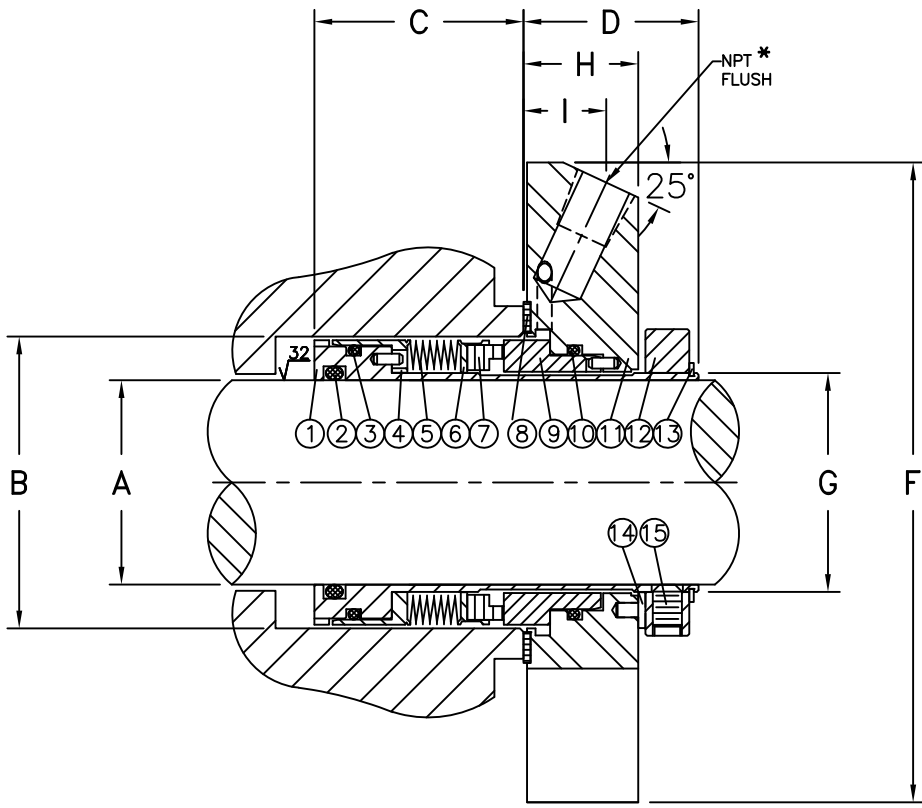
INSTALLATION INSTRUCTIONS:  
 AFTER TIGHTENING GLAND BOLTS PUSH  
 SET SCREW COLLAR AGAINST SETTING  
 BUTTONS, THEN TIGHTEN SET SCREWS.  
 SETTING BUTTON REMOVAL NOT NECESSARY

\*.250 NPT,  $\phi$ .125 FLUSH HOLE  
 FOR SEAL SIZES UP TO 2.625  
 .375 NPT,  $\phi$ .156 FLUSH HOLE FOR  
 SEAL SIZES 2.750 AND ABOVE

AS CAST VERSION



ITEM	DESCRIPTION
1	SLEEVE
2	O-RING
3	O-RING
4	BELLOWS COLLAR
5	BELLOWS
6	INSERT HOLDER
7	INSERT
8	GASKET
9	STATIONARY FACE
10	O-RING
11	GLAND
12	COLLAR
13	RETAINING RING
14	SETTING BUTTONS
15	SET SCREWS




1500ERB MECHANICAL SEAL ASSEMBLY

A: SEAL SIZE		B (MIN)	B (MAX)	C	D	E	F	G	H	I	J	②	③	⑩
ENGLISH	METRIC													
	28mm	1.750	2.040	1.79	1.50	2.44	4.24	1.250	.98	.71	.44	122	127	128
1.125		1.750	2.040	1.79	1.50	2.44	4.24	1.250	.98	.71	.44	122	127	128
	30mm	2.000	2.270	1.79	1.50	2.69	4.36	1.375	.98	.71	.56	124	130	130
1.250		2.000	2.270	1.79	1.50	2.69	4.36	1.375	.98	.71	.56	124	130	130
	32mm	2.000	2.270	1.79	1.50	2.69	4.36	1.375	.98	.71	.56	124	130	130
	33mm	2.000	2.430	1.79	1.50	2.75	4.36	1.500	.98	.71	.44	125	131	132
1.375		2.000	2.430	1.79	1.50	2.75	4.36	1.500	.98	.71	.44	126	131	132
	35mm	2.000	2.430	1.79	1.50	2.75	4.36	1.500	.98	.71	.44	126	131	132
	38mm	2.250	2.630	1.79	1.50	2.94	4.99	1.625	.98	.71	.56	222	135	135
1.500		2.250	2.630	1.79	1.50	2.94	4.99	1.625	.98	.71	.56	222	135	135
	40mm	2.375	2.690	1.79	1.50	3.06	4.99	1.750	.98	.71	.56	223	137	137
1.625		2.375	2.690	1.79	1.50	3.06	4.99	1.750	.98	.71	.56	223	137	137
	43mm	2.500	2.810	1.79	1.50	3.19	5.48	1.875	.98	.71	.56	224	139	139
1.750		2.500	2.810	1.79	1.50	3.19	5.48	1.875	.98	.71	.56	224	139	139
	45mm	2.625	2.940	1.79	1.50	3.31	5.49	2.000	.98	.71	.56	225	141	141
1.875		2.625	2.940	1.79	1.50	3.31	5.49	2.000	.98	.71	.56	225	141	141
	48mm	2.750	3.190	1.79	1.50	3.44	5.49	2.125	.98	.71	.56	226	143	143
	50mm	2.750	3.190	1.79	1.50	3.44	5.49	2.125	.98	.71	.56	226	143	143
2.000		2.750	3.190	1.79	1.50	3.44	5.49	2.125	.98	.71	.56	226	143	143
	53mm	2.875	3.440	1.79	1.50	3.81	5.99	2.250	.98	.71	.69	227	145	145
2.125		2.875	3.440	1.79	1.50	3.81	5.99	2.250	.98	.71	.69	227	145	145
	55mm	3.000	3.560	1.79	1.50	3.94	6.24	2.375	.98	.71	.69	228	147	147
2.250		3.000	3.560	1.79	1.50	3.94	6.24	2.375	.98	.71	.69	228	147	147
	60mm	3.250	3.590	1.79	1.50	4.06	6.24	2.500	.98	.71	.69	229	149	149
2.375		3.250	3.590	1.79	1.50	4.06	6.24	2.500	.98	.71	.69	229	149	149
2.500		3.375	3.810	1.79	1.50	4.19	6.48	2.625	.98	.71	.69	230	150	151
	65mm	3.500	4.070	1.79	1.50	4.75	7.62	2.750	.98	.71	.69	231	151	152
2.625		3.500	4.070	1.79	1.50	4.75	7.62	2.750	.98	.71	.69	231	151	152
2.750		3.812	4.190	2.14	1.80	4.88	7.74	3.000	1.20	.83	.69	232	152	237
	70mm	3.812	4.190	2.14	1.80	4.88	7.74	3.000	1.20	.83	.69	232	152	237
	75mm	4.062	4.440	2.14	1.80	5.06	8.00	3.250	1.20	.83	.69	234	153	239
3.000		4.062	4.440	2.14	1.80	5.06	8.00	3.250	1.20	.83	.69	234	153	239
	80mm	4.312	4.690	2.14	1.80	5.38	8.25	3.500	1.20	.83	.69	236	154	241
3.250		4.312	4.690	2.14	1.80	5.38	8.25	3.500	1.20	.83	.69	236	154	241
3.500		4.562	4.940	2.14	1.80	5.62	8.50	3.750	1.20	.83	.81	238	155	243
3.750		4.812	5.190	2.14	1.80	5.88	8.75	4.000	1.20	.83	.81	240	156	245

SHEET 1 OF 2

REV. D: CHANGED O-RING ITEM 3 FOR 33MM, 1.250 AND 35MM FROM 129 TO 130 02/25/2016 SMF/WWW PAGE 1 OF 2)  
 REV. C: CHANGED DISTANCE ACROSS BOTTOMS FOR 2.500+ FROM 6.75 TO 5.44 02-23-2004 BPD/WWW (PAGE 2 OF 2)  
 REV. B: ADDED SLEEVE TO ITEM LIST, CRF#1046. 02-13-2003 LPH/MOD  
 REV. A: ADDED METRIC SIZES & O-RING SIZES. 11-28-00 CLM/CMW

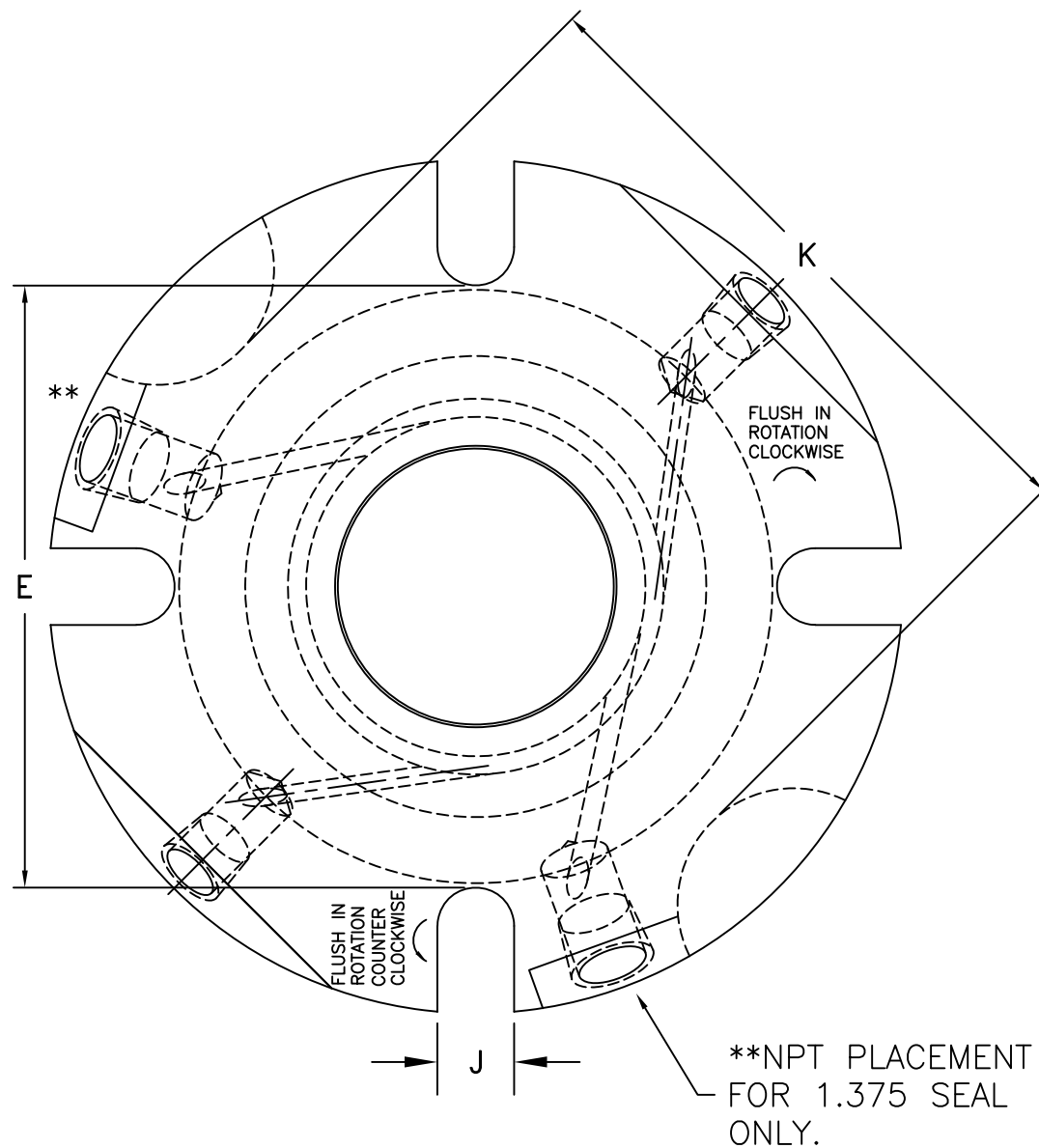
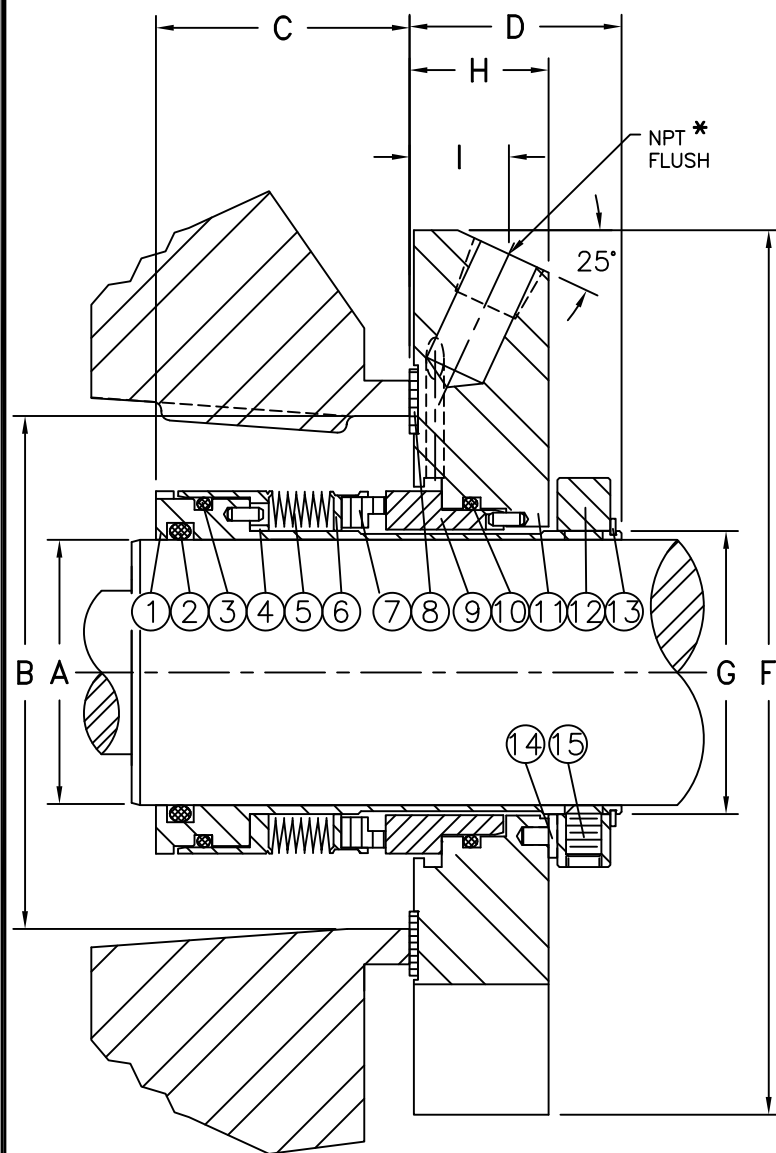
FILENAME: F:\CAD-DWG\INSTALL\00002102.DWG

<b>PPC MECHANICAL SEALS</b> BATON ROUGE, LA.			T-5383-D DWG. NO.
INITIALS	DATE		
DRAWN BY CLM	02-17-2000	COMPUTER AIDED DESIGN	
CHECKED BY WWW	02-17-2000		

INSTALLATION INSTRUCTIONS:  
 AFTER TIGHTENING GLAND BOLTS PUSH  
 SET SCREW COLLAR AGAINST SETTING  
 BUTTONS, THEN TIGHTEN SET SCREWS.  
 SETTING BUTTON REMOVAL NOT NECESSARY

\*.250 NPT,  $\phi$ .125 FLUSH HOLE  
 FOR SEAL SIZES UP TO 2.625  
 .375 NPT,  $\phi$ .156 FLUSH HOLE FOR  
 SEAL SIZES 2.750 AND ABOVE

ITEM	DESCRIPTION
1	SLEEVE
2	O-RING
3	O-RING
4	BELLOWS COLLAR
5	BELLOWS
6	INSERT HOLDER
7	INSERT
8	GASKET
9	STATIONARY FACE
10	O-RING
11	GLAND
12	COLLAR
13	RETAINING RING
14	SETTING BUTTONS
15	SET SCREWS



1500ERB+ MECHANICAL SEAL ASSEMBLY  
 FOR OVERSIZE STUFFING BOX

A SEAL SIZE	B (MIN)	B (MAX)	C	D	E	F	G	H	I	J	K	②	③	⑩
1.125+	2.500	2.906	1.79	1.50	3.31	4.62	1.250	.98	.71	.44		122	127	128
1.375+	2.781	3.219	1.79	1.50	3.53	5.31	1.500	.98	.71	.44	4.12	126	131	132
1.750+	3.469	4.188	1.79	1.50	4.50	6.31	1.875	.98	.71	.56		224	139	139
1.875+	3.406	4.062	1.79	1.50	4.41	6.25	2.000	.98	.71	.56		225	141	141
2.500+	4.156	5.187	1.79	1.50	5.44	7.88	2.625	.98	.71	.69		230	150	151
2.625+	4.156	4.812	1.79	1.50	5.44	7.50	2.750	.98	.71	.56		231	151	152

SHEET 2 OF 2

REV. D: CHANGED O-RING ITEM 3 FOR 33MM, 1.250 AND 35MM FROM 129 TO 130 02/25/2016 SMF/WWW PAGE 1 OF 2)  
 REV. C: CHANGED DISTANCE ACROSS BOTTOMS FOR 2.500+ FROM 6.75 TO 5.44 02-23-2004 BPD/WWW (PAGE 2 OF 2)  
 REV. B: ADDED SLEEVE TO ITEM LIST, CRF#1046. 02-13-2003 LPH/MOD

FILENAME: F:\CAD-DWG\INSTALL\00002102.DWG

<b>PPC MECHANICAL SEALS</b>			T-5383-D DWG. NO.
BATON ROUGE, LA.			
INITIALS	DATE	COMPUTER AIDED DESIGN	
DRAWN BY CLM	02-17-2000		
CHECKED BY WWW	02-17-2000		