

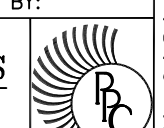
ULTRASEAL 151  
CARTRIDGE SEAL ASSEMBLY

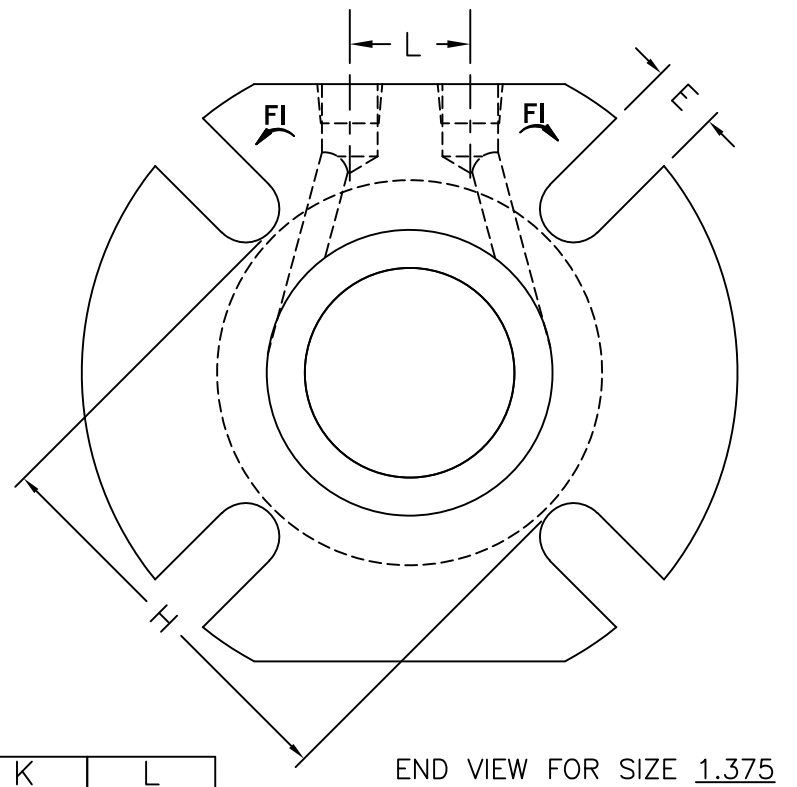
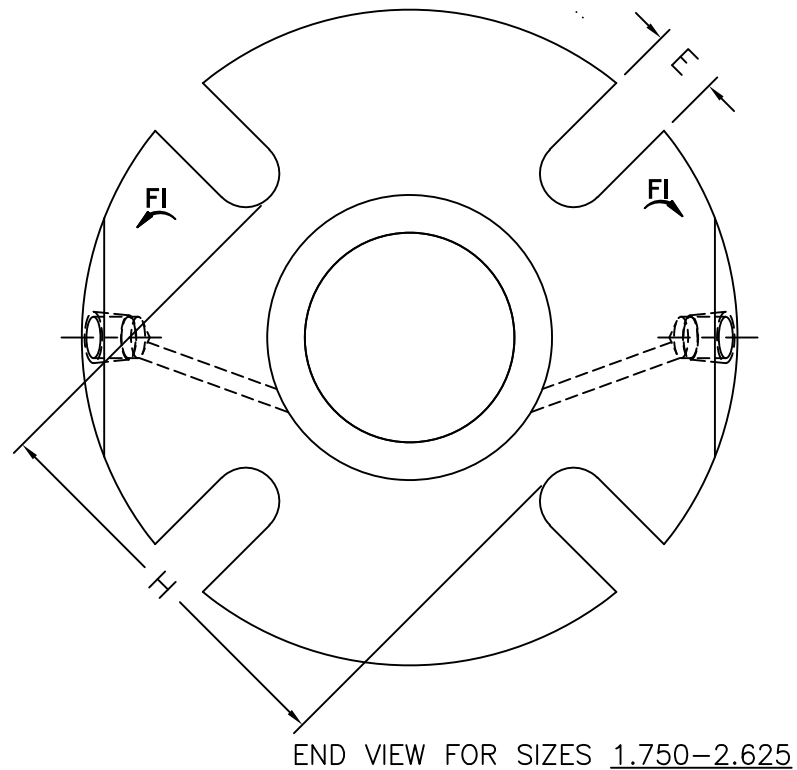
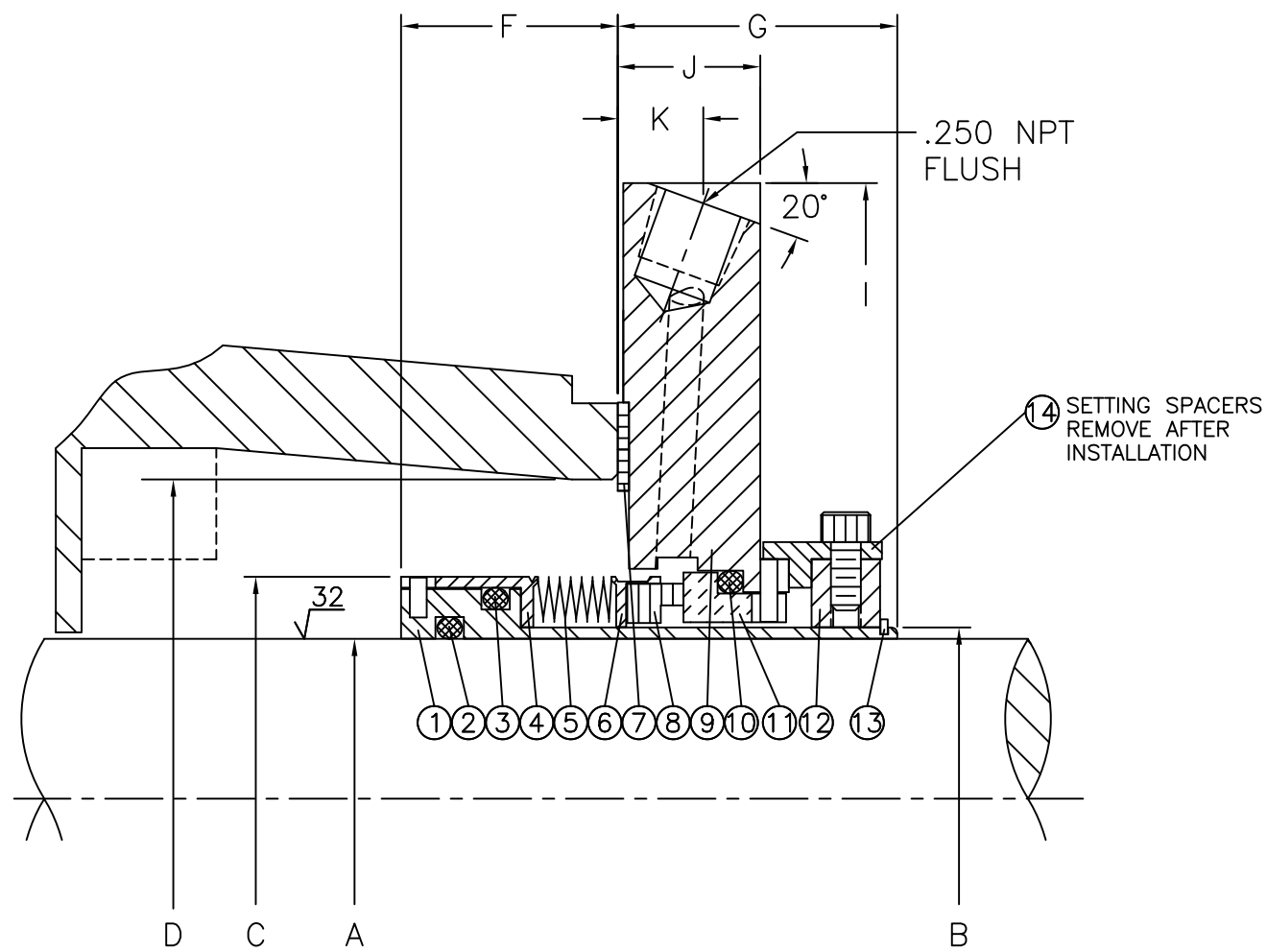
A	B	C	D MIN	D MAX	E	F	G	H	I MAX	J	K
1.000	1.125	1.688	1.750	2.010	0.438	1.094	1.531	2.312	4.110	.75	.47
1.125	1.250	1.688	1.750	2.040	0.438	1.062	1.531	2.438	4.240	.75	.47
1.250	1.375	1.938	2.000	2.270	0.562	1.125	1.531	2.688	4.360	.75	.47
1.375	1.500	1.938	2.000	2.430	0.437	1.125	1.531	2.750	4.360	.75	.47
1.500	1.625	2.188	2.250	2.630	0.562	1.125	1.531	2.938	4.980	.75	.47
1.625	1.750	2.312	2.375	2.690	0.562	1.125	1.531	3.062	4.990	.75	.47
1.750	1.875	2.438	2.500	2.810	0.562	1.188	1.531	3.188	5.480	.75	.47
1.875	2.000	2.562	2.625	2.940	0.562	1.188	1.531	3.312	5.480	.75	.47
2.000	2.125	2.688	2.750	3.190	0.562	1.188	1.531	3.438	5.490	.75	.47
2.125	2.250	2.812	2.875	3.440	0.688	1.250	1.594	3.812	5.990	.78	.47
2.250	2.375	2.938	3.000	3.560	0.688	1.250	1.594	3.938	6.240	.78	.47
2.375	2.500	3.188	3.250	3.590	0.688	1.250	1.594	4.062	6.240	.78	.47
2.500	2.625	3.312	3.375	3.810	0.688	1.312	1.656	4.188	6.480	.84	.53
2.625	2.750	3.438	3.500	4.070	0.688	1.312	1.656	4.750	7.620	.84	.53
2.750	2.875	3.625	3.688	4.190	0.688	1.375	1.719	4.875	7.745	.84	.53
2.875	3.000	3.750	3.812	4.315	0.688	1.375	1.719	5.000	7.890	.84	.53
3.000	3.250	4.000	4.062	4.440	0.688	1.438	1.719	5.125	8.000	.84	.53
3.125	3.375	4.125	4.188	4.565	0.688	1.438	1.719	5.250	8.125	.84	.53
3.250	3.500	4.250	4.312	4.690	0.688	1.562	1.719	5.375	8.250	.84	.53
3.375	3.625	4.375	4.438	4.815	0.812	1.562	1.719	5.500	8.375	.84	.53
3.500	3.750	4.500	4.562	4.940	0.812	1.562	1.719	5.625	8.500	.84	.53
3.625	3.875	4.625	4.688	5.065	0.812	1.562	1.719	5.750	8.625	.84	.53
3.750	4.000	4.750	4.812	5.190	0.812	1.562	1.719	5.875	8.750	.84	.53

SHEET 1 OF 2  
151 STANDARD BORE SIZES

REV. H: ADDED DIMENSIONS (J) & (K), UPDATED NPT's VIEWS.  
04-11-2023 KLS/WWW

ITEM	DESCRIPTION	MATERIAL
1	SLEEVE	
2	O-RING	
3	O-RING	
4	BELLOWS COLLAR	
5	BELLOWS	
6	INSERT HOLDER	
7	GASKET	
8	INSERT	
9	GLAND	
10	O-RING	
11	SEAT	
12	COLLAR	
13	SPIROLOX	
14	SETTING SPACERS	

MFG:	<input type="checkbox"/> PUMP	EQUIP.
MODEL:	<input type="checkbox"/> COMPRESSOR	
SIZE:	<input type="checkbox"/> AGITATOR	
SERIAL NO:	<input type="checkbox"/> VERTICAL <input type="checkbox"/> OTHER	
CUSTOMER:		CUSTOMER
END USER:		
LOCATION:	USER:	
STOCK NO:		PRODUCT
USER TAG:		
PRODUCT:		
NOTES:		PRODUCT
BARRIER FLUID:		
PLAN:		
TEMP:	SUCT PRESS:	
SP GR:	DISC. PRESS:	
V P:	BOX PRESS:	
VISC:	RPM:	
DESC: ULTRASEAL 151 CARTRIDGE MECHANICAL SEAL		
SIZE: TYPICAL		
DR BY:	CH BY: WWW	DWG. NO. T-1816-H
SCALE: 1 = 1	AP BY:	
DATE: 06-17-94		
PPC MECHANICAL SEALS		BATON ROUGE, LA.
		



ULTRASEAL 151+  
FOR BIG BORE STUFFING BOX

A	B	C	D MIN	D MAX	E	F	G	H	I MAX	J	K	L
1.375+	1.500	1.938	2.781	3.219	0.438	1.125	1.531	3.562	5.312	1.03		1.500
1.750+	1.875	2.438	3.469	4.188	0.562	1.188	1.531	4.500	6.312	.75	0.47	
1.875+	2.000	2.562	3.406	4.062	0.562	1.188	1.531	4.406	5.968	.75	0.47	
2.125+	2.250	2.812	3.437	4.375	0.688	1.250	1.594	4.812	7.125	.75	0.47	
2.625+	2.750	3.438	4.156	4.812	0.562	1.312	1.656	5.438	7.500	.84	0.53	

SHEET 2 OF 2  
151+ BIG BORE SIZES

ITEM	DESCRIPTION	MATERIAL
1	SLEEVE	
2	O-RING	
3	O-RING	
4	BELLOWS COLLAR	
5	BELLOWS	
6	INSERT HOLDER	
7	GASKET	
8	INSERT	
9	GLAND	
10	O-RING	
11	SEAT	
12	COLLAR	
13	SPIROLOX	
14	SETTING SPACERS	

MFG:	<input type="checkbox"/> PUMP	EQUIP.
MODEL:	<input type="checkbox"/> COMPRESSOR	
SIZE:	<input type="checkbox"/> AGITATOR	
SERIAL NO:	<input type="checkbox"/> VERTICAL <input type="checkbox"/> OTHER	

CUSTOMER:	USER:	CUSTOMER
END USER:		
LOCATION:		
STOCK NO:		
USER TAG:		

PRODUCT:	PRODUCT
NOTES:	
BARRIER FLUID:	
PLAN:	

TEMP:	SUCT PRESS:
SP GR:	DISC. PRESS:
V P:	BOX PRESS:
VISC:	RPM:

DESC: ULTRASEAL 151 CARTRIDGE MECHANICAL SEAL  
SIZE: TYPICAL

COMPUTER AIDED DESIGN	SCALE: 1 = 1	DR BY:	DWG. NO. T-1816-H
	DATE: 06-17-94	CH BY: WWW	
		AP BY:	

**PPC MECHANICAL SEALS**  
BATON ROUGE, LA.

REV. H: ADDED DIMENSIONS (J) & (K), UPDATED NPT's VIEWS. 04-11-2023 KLS/WWW