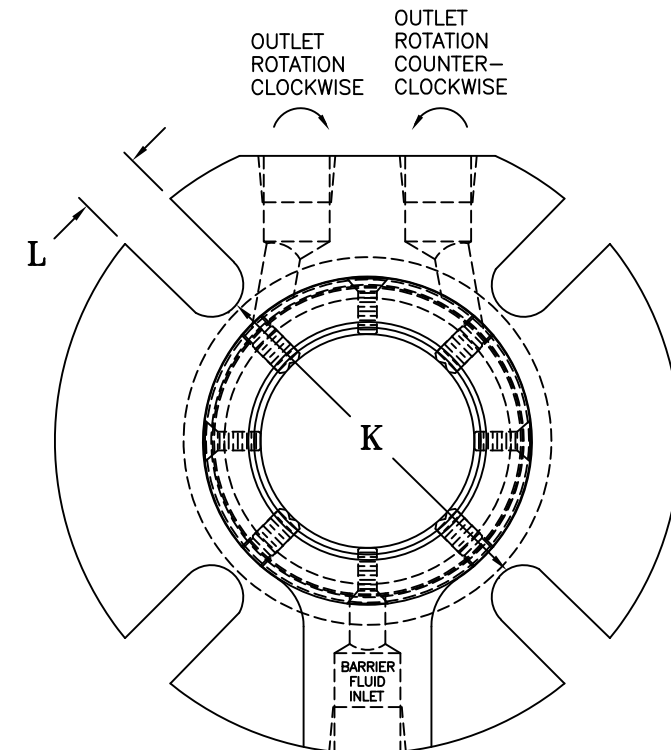


\* .250 NPT BARRIER FLUID INLET & OUTLET FOR SEAL SIZES UP TO 1.375. .375 NPT FOR SEAL SIZES 1.500 AND ABOVE

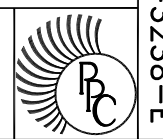


ITEM	DESCRIPTION
1	O-RING
2	SLEEVE
3	O-RING
4	IB BELLOWS ASSY.
5	GASKET
6	O-RING
7	GASKET
8	IB SEAT
9	RETAINING RING
10	O-RING
11	OB BELLOWS ASSY.
12	OB SEAT
13	O-RING
14	GLAND
15	COLLAR
16	RETAINING RING
17	FLAT HEAD SCREWS
18	SETTING SPACERS
19	SET SCREWS
20	GLAND ADAPTER
21	SET SCREWS
22	SET SCREWS

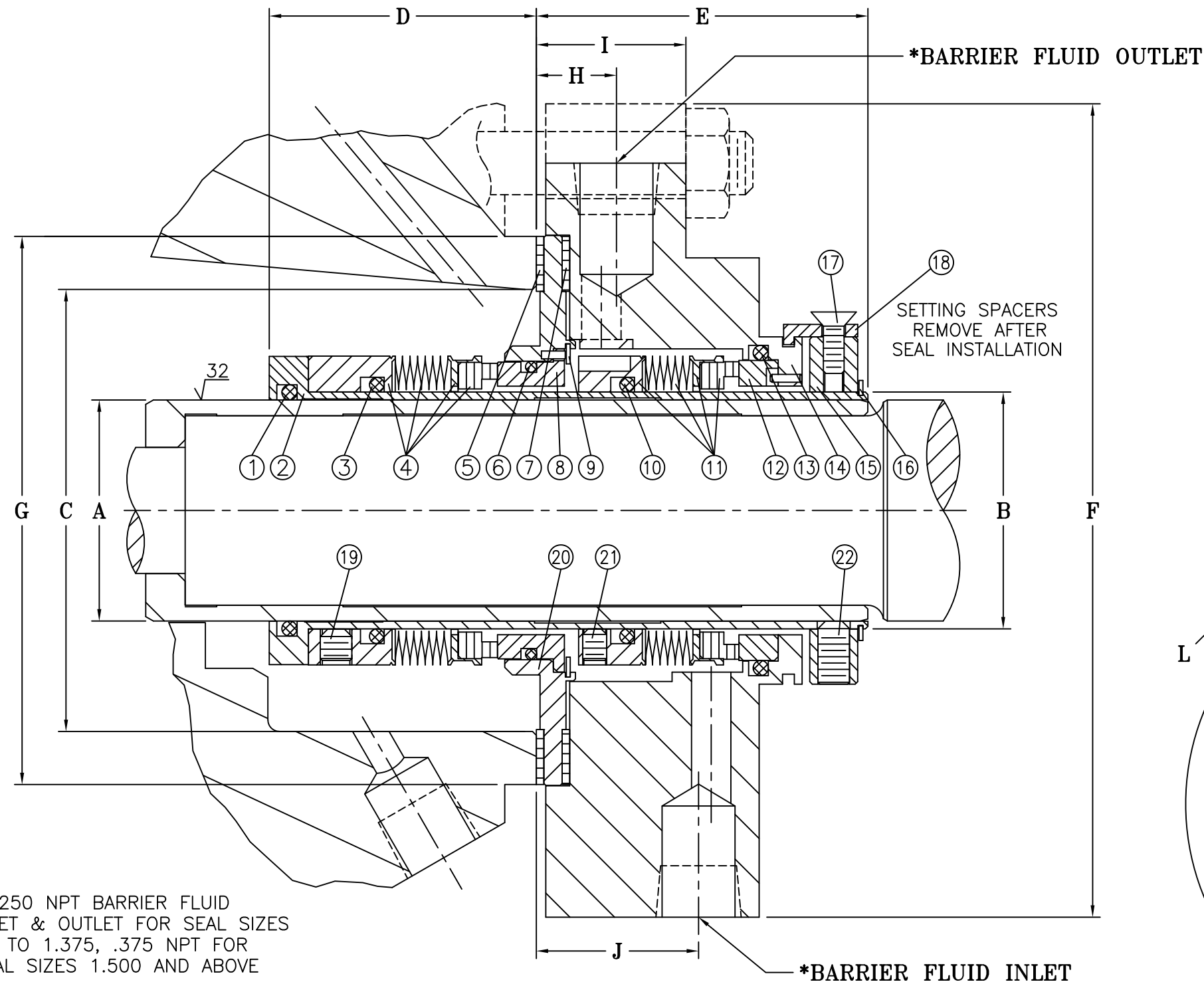
ULTRASEAL 2000 CARTRIDGE SEAL ASSEMBLY												
A	B	C min	C max	D	E	F	G	H	I	J	K	L
1.125	1.250	1.750	1.812	1.62	1.89	3.75	2.250	.92 ANGLED	1.22	.92 ANGLED	2.437	.44
1.375	1.500	2.000	2.030	1.62	1.89	4.00	2.395	.92 ANGLED	1.22	.92 ANGLED	2.750	.44
1.500	1.625	2.250	2.437	2.06	2.62	4.48	2.688	.64	1.75	1.29	2.875	.44
1.625	1.750	2.375	2.562	2.06	2.62	4.98	2.812	.64	1.18	1.29	3.015	.56
1.750	1.875	2.500	2.812	2.12	2.62	5.48	3.020	.64	1.18	1.29	3.170	.56
1.875	2.000	2.625	2.937	2.12	2.62	5.48	3.125	.64	1.18	1.29	3.312	.56
2.000	2.125	2.750	3.187	2.12	2.62	5.48	3.437	.64	1.18	1.29	3.531	.56
2.125	2.250	2.875	3.437	2.12	2.62	5.98	3.688	.64	1.18	1.29	3.781	.69
2.250	2.375	3.000	3.562	2.12	2.62	5.98	3.812	.64	1.18	1.29	3.920	.69
2.500	2.625	3.375	3.812	2.19	2.62	6.48	4.062	.64	1.18	1.29	4.141	.69
2.625	2.750	3.500	3.937	2.19	2.62	6.48	4.187	.64	1.18	1.29	4.312	.69

DESC: ULTRASEAL 2000 CARTRIDGE MECHANICAL SEAL		
SIZE: TYPICAL		
DR BY: RPL	CH BY: WWW	
COMPUTER AIDED DESIGN	SCALE: NTS	DATE: 03-29-96
AP BY:		

**PPC MECHANICAL SEALS**  
BATON ROUGE, LA.

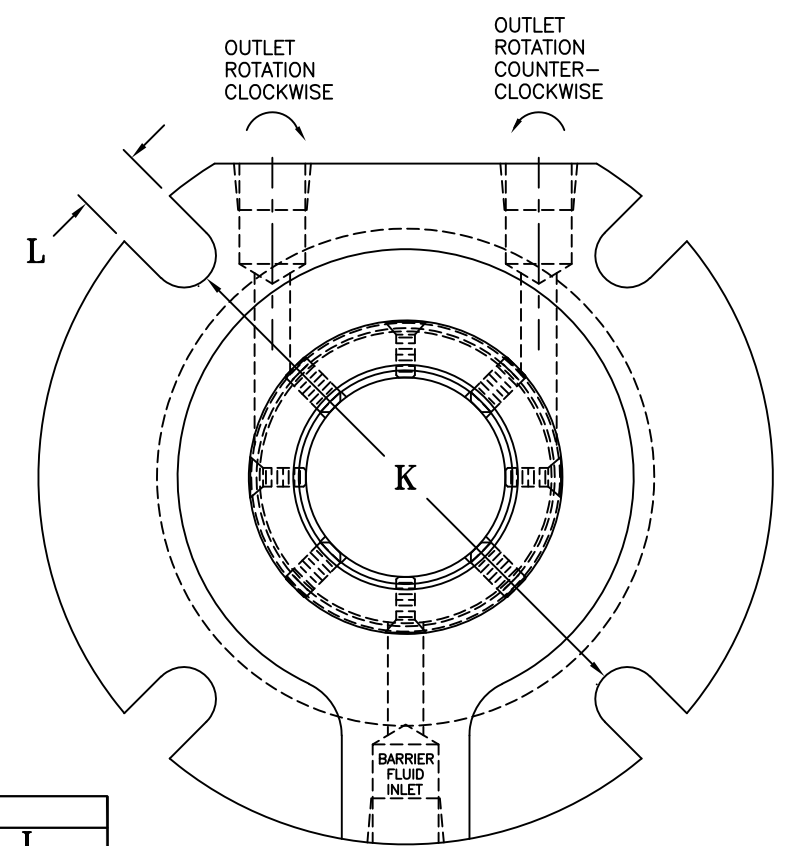


DWG. NO. T-3238-E



ITEM	DESCRIPTION
1	O-RING
2	SLEEVE
3	O-RING
4	IB BELLOWS ASSY.
5	GASKET
6	O-RING
7	GASKET
8	IB SEAT
9	RETAINING RING
10	O-RING
11	OB BELLOWS ASSY.
12	OB SEAT
13	O-RING
14	GLAND
15	COLLAR
16	RETAINING RING
17	FLAT HEAD SCREWS
18	SETTING SPACERS
19	SET SCREWS
20	GLAND ADAPTER
21	SET SCREWS
22	SET SCREWS

\* .250 NPT BARRIER FLUID INLET & OUTLET FOR SEAL SIZES UP TO 1.375, .375 NPT FOR SEAL SIZES 1.500 AND ABOVE



ULTRASEAL 2000+ SEAL TYPICAL FOR OVERSIZE STUFFING BOX

A	B	C min	C max	D	E	F	G	H	I	J	K	L
1.125	1.250	2.500	2.906	1.81	1.90	4.625	3.125	.88 ANGLED	1.29	90 ANGLED	3.75 B.C.	.44 HOLES
1.375	1.500	2.781	3.219	1.81	1.90	5.130	3.597	.88 ANGLED	1.29	90 ANGLED	3.562	.44
1.750	1.875	3.469	4.188	2.11	2.63	6.440	4.340	.64	1.19	1.29	4.937	.56
1.875	2.000	3.406	4.062	2.02	2.72	5.875	4.125	.74	1.19	1.39	5.00 B.C.	.56 HOLES
2.125	2.250	3.875	4.437	2.12	2.62	7.125	4.687	.64	1.19	1.25	4.812	.69
2.500	2.625	4.500	5.125	1.98	2.82	7.875	5.453	.84	1.53	1.49	5.437	.69

DESC:ULTRASEAL 2000 CARTRIDGE MECHANICAL SEAL

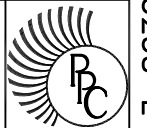
SIZE:TYPICAL

COMPUTER AIDED DESIGN

SCALE: NTS  
DATE: 03-29-96

DR BY: RPL  
CH BY: WWW  
AP BY:

**PPC MECHANICAL SEALS**  
BATON ROUGE, LA.



DWG. NO. T-3238-E